

The Mini-Beast Air Horn or The "GET THE HELL OUT OF MY WAY" Horn

By Tom Corr

Motorcycles, which we all know, are enjoyable and purposeful machines and most new motorcycles that come off the showroom floor are generally quiet because they are built to federally mandated noise control standards.

What makes them loud is when we remove or modify the muffler/tailpipe to make them louder. Why do this? Because 'Loud pipes save lives' – loud pipes are a safety feature that warns others drivers and helps us to avoid a collision. If you ride, you know we have to do all we can to get the attention of motorists when they are nearby on the road.

Knowing that this type of modification is illegal in most states, (some) cities and towns are now cashing in on this, and are cracking down on loud pipes, with motorcycle ordinance's, that allow a maximum noise level standard of 80 decibels measured from a distance of 25 feet. The problem is that Motorcycles can easily exceed 80 decibels measured from a distance of 25 feet even when idling.

Basically a town or city that has a noise ordinance will set up something similar to photo radar to catch speeders. Only this is a camera and decibel meter and if your pipes register above the set decibel range the camera snaps a picture of you and your bike and you are mailed a ticket. Fines for excessive noise are generally set between \$150 and \$200 for the first offense.

The biggest bitch that most towns and the Citizens Coalition Against Noise Pollution have is that motorcycles are equipped with horns, just like automobiles are, and loud pipes are not needed. Somehow a motorcycle horn just does not cut it. They are kind of -well - wimpy, and not very loud. They are barely audible at 75mph on a freeway and not much better in town at 35mph. If you think motorcycle horns are kind of wimpy, then have I found the horn for you, The Mini-Beast Air Horn.

The Mini Beast is a self-contained air horn that puts out a heart stopping 128db blast from its dual trumpets. (Blow this thing next to one of those Citizens Against Noise Pollution and watch them wet themselves and take off running). It is stainless steel covered and is polished to a mirror finish (for a long lasting shine) and is what they call Plug-n-Play, meaning it comes with everything necessary for a fast easy installation. The Mini-Beast measures only 5" wide and 6" high and comes with a full 1-year manufacturer's warranty. The product came only a few days after ordering it and has every thing you need to install it. Installation was a breeze; a total of 20 minutes tops, and that included unpacking it and reading the instructions, which are basic and no-nonsense.

Step One: remove the seat, remove the old horn and screw on the supplied spacer.

Step Two: slide the wiring harness along the frame under the tank, and loosely secure the harness with the supplied wire ties.

Step Three: attach the stock wiring for the horn to the harness and wrap with tape.

Step Four: hide the wires behind the horn mount and secure with wire ties and, using the chrome button head supplied, screw the Mini Beast to the spacer.

Step Five: plug in the horn connectors, wrap with tape and secure with ties behind the horn mount.

Step Six: attach the orange wire with fuse to the positive terminal of the battery using a ten-millimeter wrench.

Step Seven: attach the white wire to the negative terminal of the battery using a ten-millimeter wrench.

Step Eight: attach the supplied, and clearly marked, Horn Relay. There are five spade terminals (the one in the middle is not used).

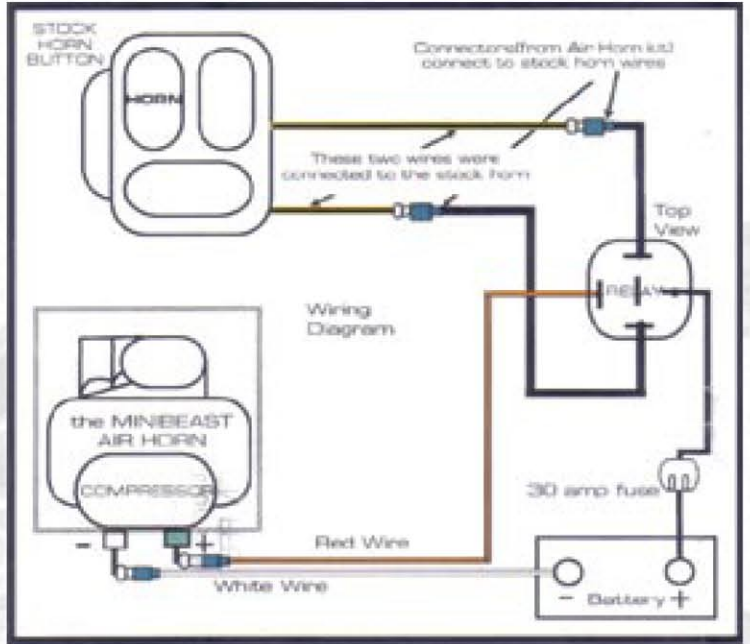
One terminal is clearly marked "Orange", that is from the positive side of the battery. The other is marked "Red" (directly across from the orange wire you just hooked up) hook up the red wire in the new harness you just added (it is the positive side of the Mini Beast Air Horn).

The last two wires are for the Horn button and are black. They plug in to the terminals that are marked "black" and do not have a particular side or order they are to be used in. Now turn on the key and hit the button. It is not recommended you do this late at night like I did. I guarantee your neighbors will not be as impressed with it as you will be. Well that's it. Put the seat on, take a ride and blast away. To get your own Mini Beast Air Horn, go to www.cruisercustomizing.com and click on lighting and electrical then click on horns and there you have it.

*This article was reproduced with permission
from Thunder Roads Arizona.
<http://www.thunderroadsarizona.com>*



The Mini-Beast Installed



Wiring Diagram



Step One



Step Two



Step Three



Step Four



Step Five



Step Six



Step Seven